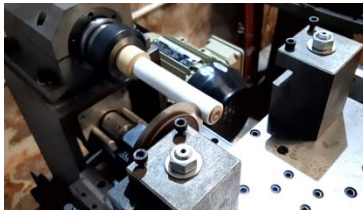
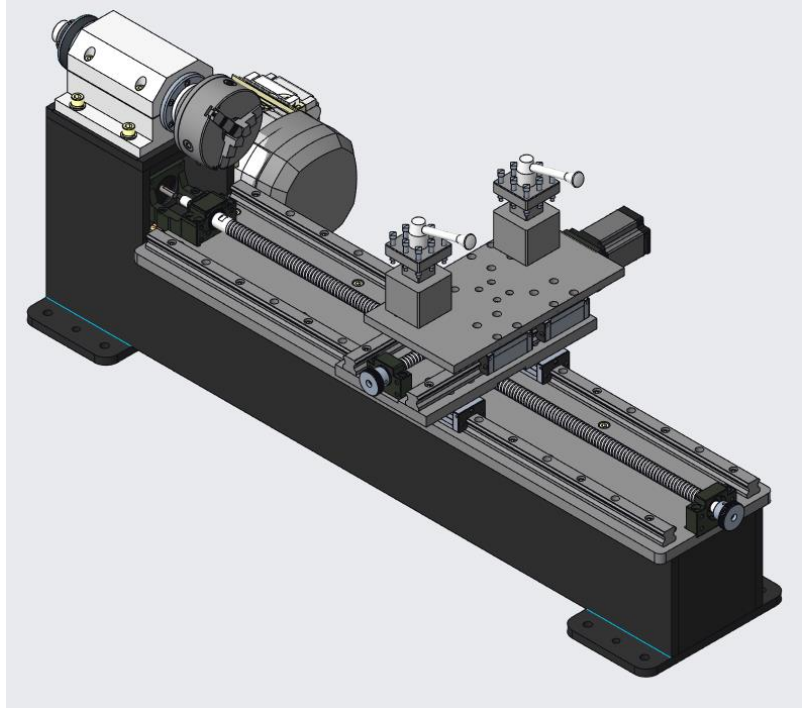


MINI CNC TURNING MACHINE

(Suitable for Diameter upto 120 mm)

MODEL SPM.MCNCT



- Motor and Drive: Servo
- Programming Input: USB (G Code)
- Controller Type: CNC Turning
- Spindle Speed Control: VFD
- Max Workpiece Length : 300 mm
- Max Workpiece Diameter: 120 mm
- Chuck Size: 5" (Alt. Collet = 24 mm)
- Max Cutting Speed = 60 Cycles / min
- Accuracy +/- 0.02 mm
- Machine Size: 3.25 x 2 x 2 ft (LBH)
- Panel Size: 2 x 1 x 4 ft (LBH)
- Free Training and Installation
- 1 Year Warranty
- Total Power 2 HP 3 Phase A.C.



Contacts:

Works: